



AS3372-HYB
 Controllable Signal Processor – DIP adapter

FEATURES

- DIP-18 footprint
- Pin-to-pin functional compatible with CEM3372

AS3372-HYB

PDIP-18 (300 mil) footprint

APPLICATIONS

for electronic music

General Description

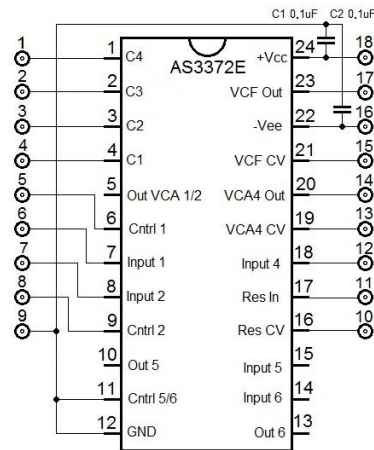
AS3372-HYB – conversion of AS3372ED (SOIC-24) to DIP-18 (300 mil) footprint with limited functions, to make replacement of CEM3372 more easier.

All electrical parameters – according to datasheet of AS3372E

AS3372-HYB Pin Information

Pin No	Pin Name	Description
1	Cd	Filter capacitor 4
2	Cc	Filter capacitor 3
3	Cb	Filter capacitor 2
4	Ca	Filter capacitor 1
5	Cntrl1	VCA1 Gain CV
6	In1	VCA1 input
7	In2	VCA2 input
8	Cntrl2	VCA2 Gain CV
9	GND	Ground
10	Res Cntrl	Filter resonance CV
11	Res IN	Resonance input
12	In4	VCA4 Input
13	Cntrl 4	VCA4 Gain CV
14	Out4	VCA4 Output
15	VCF CV	Filter control voltage
16	V _{EE}	Negative supply
17	VCF Out	Filter output
18	V _{CC}	Positive supply

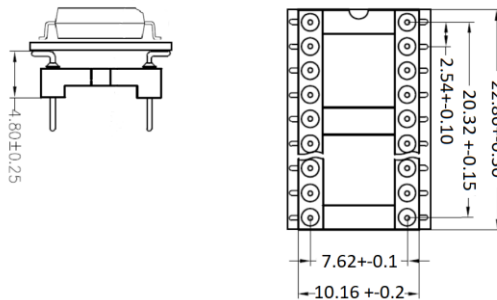
Schematic Diagram AS3372-HYB



Package Information

Device type	Package
AS3372-HYB	PDIP-18 (300 mil body)

DIMENSIONS DIP-18 (300 Mil) footprint



Revision history

Date	Revision	Changes
08-Sep-2022	1	Preliminary version 1